

# Paradyn Parallel Performance Tools

## DynStackwalker Programmer's Guide

Release 0.6b  
July 2007

Paradyn Project  
[www.paradyn.org](http://www.paradyn.org)

Computer Sciences Department  
University of Wisconsin  
Madison, WI 53706-1685  
[paradyn@cs.wisc.edu](mailto:paradyn@cs.wisc.edu)

Computer Sciences Department  
University of Maryland  
College Park, MD 20742  
[bugs@dyninst.org](mailto:bugs@dyninst.org)



# Table Of Contents

1	Introduction .....	2
2	Abstractions .....	3
2.1	Stackwalking Interface .....	4
2.2	Callback Interface .....	4
3	API Reference .....	5
3.1	Definitions and Basic Types .....	5
3.1.1	Definitions .....	5
3.1.2	Basic Types .....	7
3.2	Namespace DynStackwalker .....	7
3.3	Stackwalking Interface .....	7
3.3.1	Class Walker .....	8
3.3.2	Class Frame .....	10
3.4	Callback Interface .....	13
3.4.1	Default Implementations .....	13
3.4.2	Class FrameStepper .....	14
3.4.3	Class StepperGroup .....	16
3.4.4	Class ProcessState .....	18
3.4.5	Class SymbolLookup .....	19
4	Platform Specific Notes .....	20

# 1 INTRODUCTION

This document describes DynStackwalker, an API and library for walking a call stack. The call stack (also known as the run-time stack) is a stack found in a process that contains the currently active stack frames. Each stack frame is a record of an executing function (or function-like object such as a signal handler or system call). DynStackwalker provides an API that allows users to collect a call stack (known as *walking* the call stack) and access information about its stack frames. The current implementation supports Linux/x86, Linux/IA-64, Linux/AMD-64, Linux/Power, AIX/Power, Solaris/SPARC, and Windows/x86.

DynStackwalker is designed to be both easy-to-use and easy-to-extend. Users can easily use DynStackwalker to walk a call stack without needing to understand how call stacks are laid out on their platform. Users can easily extend DynStackwalker to work with new platforms and types of stack frames by implementing a set of callbacks that can be plugged into DynStackwalker.

DynStackwalker's ease-of-use comes from it providing a platform independent interface that allows users to access detailed information about the call stack. For example, the following C++ code-snippet is all that is needed to walk and print the call stack of the currently running thread.

```
std::vector<Frame> stackwalk;
string s;

Walker *walker = Walker::newWalker();
walker->walkStack(stackwalk);
for (unsigned i=0; i<stackwalk.size(); i++) {
    stackwalk[i].getName(s);
    cout << "Found function " << s << endl;
}
```

DynStackwalker can walk a call stack in the same address space as where the DynStackwalker library lives (known as a *first party* stackwalk), or it can walk a call stack in another process (known as a *third party* stackwalk). To change the above example to perform a third party stackwalk, we would only need to pass a process identifier to `newWalker`, e.g:

```
Walker *walker = Walker::newWalker(pid);
```

Our other design goal with DynStackwalker is to make it easy-to-extend. The mechanics of how to walk through a stack frame can vary between different platforms, and even between different types of stack frames on the same platform. In addition, different platforms may have different mechanisms for reading the data in a call stack or looking up symbolic names that go with a stack frame. DynStackwalker provides a callback interface for plugging in mechanisms for handling new systems and types of stack frames. The callback interface can be used to port DynStackwalker to new platforms, extend DynStackwalker support on existing systems, or more easily integrate DynStackwalker into existing tools. There are callbacks for the following DynStackwalker operations:

- *Walk through a stack frame* - DynStackwalker will find different types of stack frames on different platforms and even within the same platform. For example, on Linux/x86 the stack frame generated by a typical function looks different from the stack frame generated by a signal handler. The callback interface can be used to register a handler with DynStackwalker that knows how to walk through a new type of stack frame. For example, the DyninstAPI tool registers an object with DynStackwalker that describes how to walk through the stack frames

generated by its instrumentation.

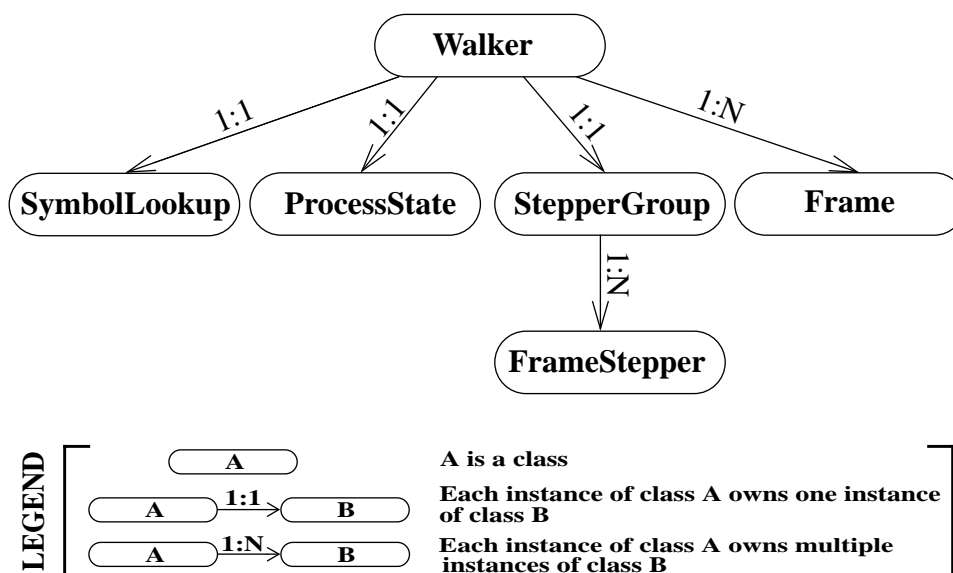
- *Access process data* - To walk a call stack, DynStackwalker needs to be able to read a process' memory and registers. When doing a first party stackwalk, this is done by directly reading them from the current address space. When doing a third party stackwalk, this is done by reading them using a debugger interface. The callback interface can be used to register new objects for accessing process data. This can be used, for example, to port DynStackwalker to a new operating system or make it work with a new debugger interface.
- *Look up symbolic names* - When DynStackwalker finds a stack frame, it gets an address that points into the piece of code that created that stack frame. This address is not necessarily meaningful to a user, so DynStackwalker attempts to associate the address with a symbolic name. The callback interface can be used to register an object with DynStackwalker that performs an address to name mapping, allowing DynStackwalker to associate names with stack frames.

## 2 ABSTRACTIONS

DynStackwalker contains two interfaces: the Stackwalking Interface and the Callback Interface. The stackwalking interface is used to walk the call stack, query information about stack frames, and collect basic information about threads. The Callback Interface is used to provide custom mechanisms for walking a call stack. Users who operate in one of DynStackwalker's standard configurations do not need to use the Callback Interface.

Figure 1 shows the ownership hierarchy for DynStackwalker's classes. Ownership is a "contains" relationship; if one class owns another, then instances of the owner class maintain an exclusive instance of the other. For example, in Figure 1 the each `walker` instance contains exactly one instance of a `ProcessState` object. No other instance of `walker` uses that instance of `ProcessState`.

This remainder of this section briefly describes the six classes that make up DynStackwalker's two interfaces. For more details, see the class descriptions in Section 3.



**Figure 1: Object Ownership**

## 2.1 Stackwalking Interface

- *Walker* - The `Walker` class is the top-level class used for collecting stackwalks. It provides a simple interface for requesting a stackwalk. Each `Walker` object is associated with one process, but may walk the call stacks of multiple threads within that process.
- *Frame* - A call stack is returned as a vector of `Frame` objects, where each `Frame` object represents a stack frame. It can provide information about the stack frame and basic information about the function, signal handler or other mechanism that created it. Users can request information such as the symbolic name associated with the `Frame` object, and values of its saved registers.

## 2.2 Callback Interface

DynStackwalker includes default implementations of the Callback Interface on each of its supported platforms. These default implementations allow DynStackwalker to work “out of the box” in a standard configuration on each platform. Users can port DynStackwalker to new platforms or customize its call stack walking behavior by implementing their own versions of the classes in the Callback Interface.

- *FrameStepper* - A `FrameStepper` object describes how to walk through a single type of stack frame. Users can provide an implementation of this interface that allows DynStackwalker to walk through new types of stack frames. For example, the DyninstAPI uses this interface to extend DynStackwalker to allow it to walk through stack frames created by instrumentation code.
- *StepperGroup* - A `StepperGroup` is a collection of `FrameStepper` objects and criteria that describes when to use each type of `FrameStepper`. These criteria are based on simple address ranges in the code space of the target process. In the above example with DyninstAPI, it would be the job of the `StepperGroup` to identify a stack frame as belonging to instrumentation code and use the instrumentation `FrameStepper` to walk through it.
- *ProcessState* - A `ProcessState` interface describes how to access data in the target process. To walk a call stack, DynStackwalker needs to access both registers and memory in the target process; `ProcessState` provides an interface that DynStackwalker can use to access that information. DynStackwalker includes two default implementation of `ProcessState` for each platform: one to collect a first party stackwalk in the current process, and one that uses a debugger interface to collect a third party stackwalk in another process.
- *SymbolLookup* - The `SymbolLookup` interface is used to associate a symbolic name with a stack frame. A stackwalk returns a collection of addresses in the code space of a binary. This class uses the binary’s symbol table to map those addresses into symbolic names. A default implementation of this class, which uses the DynSymtab package, is provided with DynStackwalker. A user could, for example, use this interface to allow DynStackwalker to use libelf to look up symbol names instead.

## 3 API REFERENCE

This section describes the DynStackwalker API. It is divided into three sub-sections: a description of the definitions and basic types used by this API, a description of the interface for collecting stackwalks, and a description of the callback interface.

### 3.1 Definitions and Basic Types

The following definitions and basic types are referenced throughout the rest of this manual.

#### 3.1.1 Definitions

- *Stack Frame* - A stack frame is a record of a function (or function-like object) invocation. When a function is executed, it may create a frame on the call stack. DynStackwalker finds stack frames and returns a description of them when it walks a call stack.

The following three definitions deal with stack frames.

- *Bottom of the Stack* - The bottom of the stack is the earliest stack frame in a call stack, usually a thread's initial function. The stack grows from bottom to the top.
- *Top of the Stack* - The top of the stack is the most recent stack frame in a call stack. The stack frame at the top of the stack is for the currently executing function.
- *Frame Object* - A `Frame` object is DynStackwalker's representation of a stack frame. A `Frame` object is a snapshot of a stack frame at a specific point in time. Even if a stack frame changes as a process executes, a `Frame` object will remain the same. Each `Frame` object is represented by an instance of the `Frame` class.

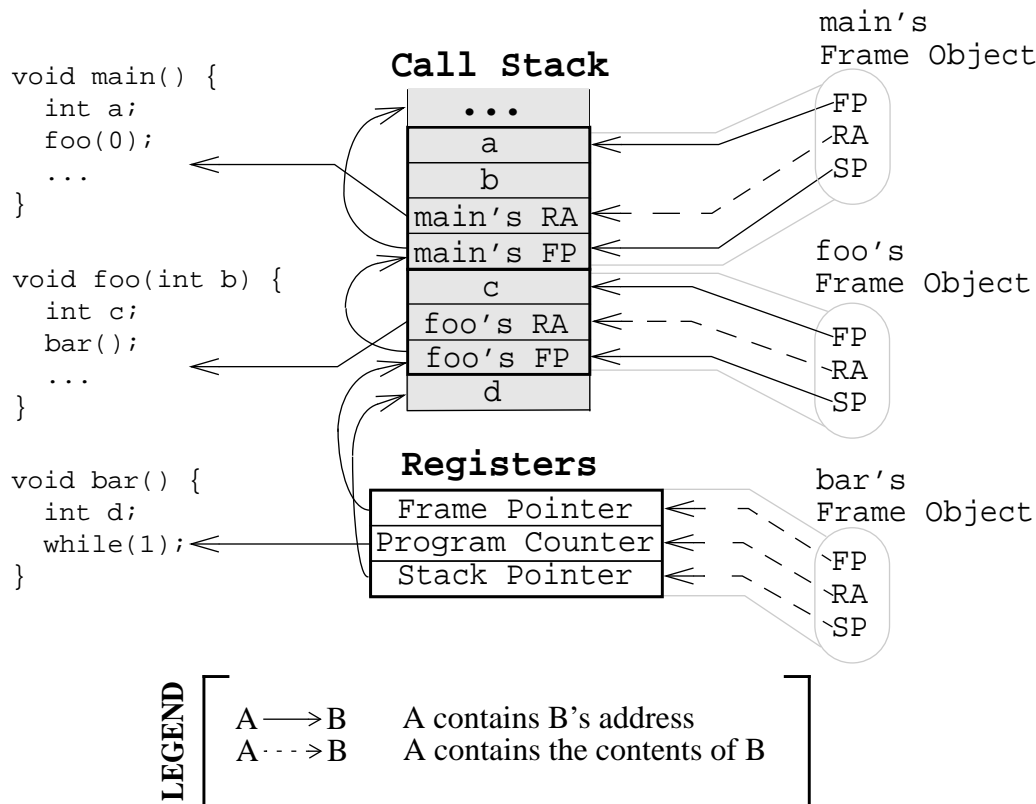
The following three definitions deal with fields in a `Frame` object.

- *SP (Stack Pointer)* - A `Frame` object's `SP` member points to the top of its stack frame (a stack frame grows from bottom to top, similar to a call stack). The `Frame` object for the top of the stack has a `SP` that is equal to the value in the stack pointer register at the time the `Frame` object was created. The `Frame` object for any other stack frame has a `SP` that is equal to the top address in the stack frame.
- *FP (Frame Pointer)* - A `Frame` object's `FP` member points to the beginning (or bottom) of its stack frame. The `Frame` object for the top of the stack has a `FP` that is equal to the value in the frame pointer register at the time the `Frame` object was created. The `Frame` object for any other stack frame has a `FP` that is equal to the beginning of the stack frame.
- *RA (Return Address)* - A `Frame` object's `RA` member points to the location in the code space where control will resume when the function that created the stack frame resumes. The `Frame` object for the top of the stack has a `RA` that is equal to the value in the program counter register at the time the `Frame` object was created. The `Frame` object for any other stack frame has a `RA` that is found when walking a call stack.

Figure 2 shows the relationship between application code, stack frames, and `Frame` objects. In the figure, the source code on the left has run through the `main` and `foo` functions, and into the `bar` function. It has created the call stack in the center, which is shown as a sequence of words growing down. The current values of the processor registers, while executing in `bar`, are shown below

the call stack. When DynStackwalker walks the call stack, it creates the `Frame` objects shown on the right. Each `Frame` object corresponds to one of the stack frames found in the call stack or application registers.

The call stack in Figure 2 is similar to one that would be found on the x86 architecture. Details about how the call stack is laid out may be different on other architectures, but the meanings of the FP, SP, and RA fields in the `Frame` objects will remain the same.



**Figure 2: Stack Frame and Frame Object Layout**

The following four definitions deal with processes involved in DynStackwalker.

- *Target Process* - The process from which DynStackwalker is collecting stackwalks.
- *Host Process* - The process in which DynStackwalker code is currently running.
- *First Party Stackwalk* - DynStackwalker collects first party stackwalk when it walks a call stack in the same address space it is running in, i.e. the target process is the same as the host process.
- *Third Party Stackwalk* - DynStackwalker collects third party stackwalk when it walks the call stack in a different address space from the one it is running in, i.e. the target process is different from the host process. A third party stackwalk is usually done through a debugger interface.

### 3.1.2 Basic Types

```
typedef unsigned long Address
```

An integer value capable of holding an address in the target process. Address variables should not, and in many cases cannot, be used directly as a pointer. It may refer to an address in a different process, and it may not directly match the target process' pointer representation. Address is guaranteed to be at least large enough to hold an address in a target process, but may be larger.

```
typedef ... process_t
```

A handle for identifying a process. On UNIX systems this will be an integer representing a PID. On Windows this will be a HANDLE object.

```
typedef ... thread_t
```

A handle for identifying a thread. On Linux based platforms this is an integer referring to a TID (Thread Identifier). On Solaris and AIX the integer refers to a LWP (Light Weight Process). On Windows it is a HANDLE object.

```
typedef ... register_t
```

A value that names a register. More details can be found in the architecture specific section of this manual, Section 4.

```
typedef unsigned long regval_t
```

A value that holds the contents of a register. A `register_t` names a specific register, while a `regval_t` represents the value that may be in that register.

## 3.2 Namespace DynStackwalker

The classes in Section 3.3 and Section 3.4 fall under the C++ namespace `DynStackwalker`. To access them, a user should refer to them using the `DynStackwalker::` prefix, e.g. `DynStackwalker::Walker`. Alternatively, a user can add the C++ `using` keyword above any references to `DynStackwalker` objects, e.g. `using namespace DynStackwalker`.

## 3.3 Stackwalking Interface

This section describes `DynStackwalker`'s interface for walking a call stack. This interface is sufficient for walking call stacks on all the systems and variations covered by our default callbacks.

To collect a stackwalk, first create new Walker object associated with the target process via

```
Walker::newWalker()
```

or

```
Walker::newWalker(process_t pid).
```

Once a `walker` object has been created, a call stack can be walked with the

```
walker::walkStack
```

method. The new stack walk is returned as a vector of `Frame` objects.

### 3.3.1 Class Walker

The `walker` class allows users to walk call stacks and query basic information about threads in a target process. The user should create a `walker` object for each process from which they are walking call stacks. Each `walker` object is associated with one process, but may walk call stacks on multiple threads within that process. The `walker` class allows users to query for the threads available for walking, and it allows you to specify a particular thread whose call stack should be walked. Stackwalks are returned as a vector of `Frame` objects.

Each `walker` object contains three objects:

- `ProcessState`
- `StepperGroup`
- `SymbolLookup`

These objects are part of the Callback Interface and can be used to customize `DynStackwalker`. The `ProcessState` object tells `walker` how to access data in the target process, and it determines whether this `walker` collects first party or third party stackwalks. `walker` will pick an appropriate default `ProcessState` object based on which factory method<sup>1</sup> the users calls. The `StepperGroup` object is used to customize how the `walker` steps through stack frames. The `SymbolLookup` object is used to customize how `DynStackwalker` looks up symbolic names of the function or object that created a stack frame.

```
static Walker *newWalker()
```

This factory method creates a new `walker` object that performs first party stackwalks.

The new `walker` object uses the default `StepperGroup` and `SymbolLookup` callbacks for the current platform, and it uses the `ProcSelf` callback for its `ProcessState` object. See Section 3.4.1 for more information about defaults in the Callback Interface.

This method returns `NULL` if it was unable to create a new `walker` object. The new `walker` object was created with the `new` operator, and should be deallocated with the `delete` operator when it is no longer needed.

```
static Walker *newWalker(process_t pid)
```

This factory method creates a new `walker` object that performs third party stackwalks, on the process identified by `pid`.

---

1. “Factory method” is a object-oriented design pattern term that describes a method that is responsible for constructing new objects. `DynStackwalker` uses factory methods to allow it to return an error when constructing an object. The `walker::newWalker` methods are the factory methods for the `walker` class.

The new `walker` object uses the default `StepperGroup` and `SymbolLookup` callbacks for the current platform, and it uses the `ProcSelf` callback for its `ProcessState` object. See Section 3.4.1 for more information about defaults in the Callback Interface.

This method returns `NULL` if it was unable to create a new `walker` object. The new `walker` object was created with the `new` operator, and should be deallocated with the `delete` operator when it is no longer needed.

```
static Walker *newWalker(ProcessState *proc,
    StepperGroup *steppergroup = NULL,
    SymbolLookup *lookup = NULL)
```

This factory method creates a new `walker` object that walks call stacks on the given `proc` object. Custom `StepperGroup` and `SymbolLookup` can be given with the `steppergroup` and `lookup` parameters. If the `steppergroup` or `lookup` parameters are `NULL`, then `DynStackwalker` will create a `walker` object that uses a default callbacks for the `NULL` parameter, as described in Section 3.4.1.

It is an error to pass `NULL` in the `proc` parameter. `proc` is used to determine whether to collect first party or third party stackwalks and, in the case of third party stackwalks, identify the target process.

This method returns `NULL` if there was an error creating the new `walker` object. The new `walker` object was created with the `new` operator, and should be deallocated with the `delete` operator when it is no longer needed.

```
bool walkStack(std::vector<Frame> &stackwalk, thread_t thread = DEFAULT_THREAD)
```

This method walks a call stack in the process associated with this `walker`. The call stack is returned as a vector of `Frame` objects in `stackwalk`. The top of the stack is returned in index 0 of `stackwalk`, and the bottom of the stack is returned in index `stackwalk.size()-1`.

A stackwalk can be taken on a specific thread by passing a value in the `thread` parameter. If `thread` has the value `DEFAULT_THREAD`, then a default thread will be chosen. When doing a third party stackwalk, the default thread will be the process' initial thread. When doing a first party stackwalk, the default thread will be the thread that called `walkStack`.

This method returns `true` on success and `false` on failure.

```
bool walkStackFromFrame(std::vector<Frame> &stackwalk, const Frame &frame)
```

This method walks a call stack starting from the given stack frame, `frame`. The call stack will be output in the `stackwalk` vector, with `frame` stored in index 0 of `stackwalk` and the bottom of the stack stored in index `stackwalk.size()-1`.

This method returns `true` on success and `false` on failure.

```
bool getInitialFrame(Frame &frame, thread_t thread = DEFAULT_THREAD)
```

This method returns the `Frame` object on the top of the stack in parameter `frame`. Under `walk-Stack`, `frame` would be the one returned in index 0 of the `stackwalk` vector.

A stack frame can be found on a specific thread by passing a value in the `thread` parameter. If `thread` has the value `DEFAULT_THREAD`, then a default thread will be chosen. When doing a third party stackwalk, the default thread will be the process' initial thread. When doing a first party stackwalk, the default thread will be the thread that called `getInitialFrame`.

This method returns `true` on success and `false` on failure.

```
bool getAvailableThreads(std::vector<thread_t> &threads)
```

This method returns a vector of threads in the target process upon which `DynStackwalker` can walk call stacks. The threads are returned in output parameter `threads`. Note that this method may return a subset of the actual threads in the process. For example, when walking call stacks on the current process, it is only legal to walk the call stack on the currently running thread. In this case, `getAvailableThreads` returns a vector containing only the current thread.

This method returns `true` on success and `false` on failure.

```
ProcessState *getProcessState() const
```

This method returns the `ProcessState` object associated with this `walker`.

```
StepperGroup *getStepperGroup() const
```

This method returns the `StepperGroup` object associated with this `walker`.

```
SymbolLookup *getSymbolLookup() const
```

This method returns the `SymbolLookup` object associated with this `walker`.

### 3.3.2 Class Frame

The `walker` class returns a call stack as a vector of `Frame` objects. As described in Section 3.3.1, each `Frame` object represents a stack frame, and contains a return address (RA), stack pointer (SP) and frame pointer (FP). For each of these values, optionally, it stores the location where the values were found. Each `Frame` object may also be augmented with symbol information giving a function name (or a symbolic name, in the case of non-functions) for the object that created the stack frame.

The `Frame` class provides a set of functions (`getRALocation`, `getSPLocation` and `getFPLocation`) that return the location in the target process' memory or registers where the RA, SP, or FP were found. These functions may be used to modify the stack. For example, the `DyninstAPI`

uses these functions to change return addresses on the stack when it relocates code. The RA, SP, and FP may be found in a register or in a memory address on a call stack.

```
static Frame *newFrame(regvalue_t ra, regvalue_t sp, regvalue_t fp,
    Walker *walker)
```

This method creates a new `Frame` object and sets the mandatory data members: RA, SP and FP. The new `Frame` object is associated with the `walker`.

The optional location fields can be set by the methods below.

The new `Frame` object is created with the `new` operator, and the user should deallocate it with the `delete` operator when it is no longer needed.

```
regvalue_t getRA() const
```

This method returns this `Frame` object's return address.

```
void setRA(regvalue_t val)
```

This method sets this `Frame` object's return address to `val`.

```
regvalue_t getSP() const
```

This method returns this `Frame` object's stack pointer.

```
void setSP(regvalue_t val)
```

This method sets this `Frame` object's stack pointer to `val`.

```
regvalue_t getFP() const
```

This method returns this `Frame` object's frame pointer.

```
void setFP(regvalue_t val)
```

This method sets this `Frame` object's frame pointer to `val`.

```
typedef enum { loc_address, loc_register, loc_unknown } storage_t;
typedef struct {
    union {
        address addr;
        register_t reg;
    } val;
    storage_t location;
} location_t;
```

The `location_t` structure is used by the `getRALocation`, `getSPLocation`, and `getFPLocation` methods to describe where in the process a `Frame` object's RA, SP, or FP were found. When walking a call stack these values may be found in registers or memory. If they were found in memory, the `location` field of `location_t` will contain `loc_address` and the `addr` field will contain the address where it was found. If they were found in a register the `location` field of `location_t` will contain `loc_register` and the `reg` field will refer to the register where it was found. If this `Frame` object was not created by a stackwalk (using the `newframe` factory method, for example), and has not had a `set location` method called, then `location` will contain `loc_unknown`.

```
location_t getRALocation() const
```

This method returns a `location_t` describing where the RA was found.

```
void setRALocation(location_t newval)
```

This method sets the location of where the RA was found to `newval`.

```
location_t getSPLocation() const
```

This method returns a `location_t` describing where the SP was found.

```
void setSPLocation(location_t newval)
```

This method sets the location of where the SP was found to `newval`.

```
location_t getFPLocation() const
```

This method returns a `location_t` describing where the FP was found.

```
void setFPLocation(location_t newval)
```

This method sets the location of where the FP was found to `newval`.

```
bool getName(std::string &str)
```

This method returns a stack frame's symbolic name. Most stack frames are created by functions, or function-like objects such as signal handlers or system calls. This method returns the name of the object that created this stack frame. For stack frames create by functions, this symbolic name will be the function name. A symbolic name may not always be available for all `Frame` objects, such as in cases of stripped binaries or special stack frames types.

The function name is obtained by using this `Frame` object's RA to call the `SymbolLookup` callback. By default `DynStackwalker` will attempt to use the `DynSymtab` package to look up symbol names in binaries. If `DynSymtab` is not found, and no alternative `SymbolLookup` object is present, then this method will return an error.

This method returns `true` on success and `false` on error.

```
bool getObject(void* &obj)
```

In addition to returning a symbolic name (see `getName`) the `SymbolLookup` interface allows for an opaque object, a `void*`, to be associated with a `Frame` object. The contents of this `void*` is determined by the `SymbolLookup` implementation. Under the default implementation that uses `DynSymtab`, the `void*` points to a `Dyn_Symbol` object or `NULL` if no symbol is found.

This method returns `true` on success and `false` on error.

```
bool getStepper(FrameStepper* &stepper) const
```

This method returns the `FrameStepper` object that was used to construct this `Frame` object in the `stepper` output parameter. This method returns `true` on success and `false` on error.

### 3.4 Callback Interface

This subsection describes the Callback Interface for `DynStackwalker`. The Callback Interface is primarily used to port `DynStackwalker` to new platforms, extend support for new types of stack frames, or integrate `DynStackwalker` into existing tools.

The classes in this subsection are interfaces, they cannot be instantiated. To create a new implementation of one of these interfaces, create a new class that inherits from the callback class and implement the necessary methods. To use a new `ProcessState`, `StepperGroup`, or `SymbolLookup` class with `DynStackwalker`, create a new instance of the class and register it with a new `Walker` object using the

```
Walker::newWalker(ProcessState *, StepperGroup *, SymbolLookup *)
```

factory method (see Section 3.3.1). To use a new `FrameStepper` class with `DynStackwalker`, create a new instance of the class and register it with a `StepperGroup` using the

```
StepperGroup::addStepper(FrameStepper *)
```

method (see Section 3.4.3).

Some of the classes in the Callback Interface have methods with default implementations. A new class that inherits from a Callback Interface can optionally implement these methods, but it is not required. If a method requires implementation, it is written as a C++ pure virtual method (`virtual funcName() = 0`). A method with a default implementation is written as a C++ virtual method (`virtual funcName()`).

#### 3.4.1 Default Implementations

The classes described in the Callback Interface are C++ abstract classes, or interfaces. They cannot be instantiated. For each of these classes `DynStackwalker` provides one or more default implementations on each platform. These default implementations are classes that inherit from the abstract classes described in the Callback Interface. If a user creates a `Walker` object without pro-

viding their own `FrameStepper`, `ProcessState`, and `SymbolLookup` objects, then `DynStackwalker` will use the default implementations listed in Table 1.

	StepperGroup	ProcessState	SymbolLookup	FrameStepper
Linux/x86	1.	1. ProcSelf 2. ProcDebug	1. SwkDynSymtab	1. FramedFunc
Linux/ia64	1.	1. ProcSelf 2. ProcDebug	1. SwkDynSymtab	1.
Linux/AMD64	1.	1. ProcSelf 2. ProcDebug	1. SwkDynSymtab	1. FramedFunc 2.
Linux/PPC	1.	1. ProcSelf 2. ProcDebug	1. SwkDynSymtab	1. FramedFunc 2.
Windows/x86	1.	1. ProcSelf 2. ProcDebug	1. SwkDynSymtab	1.
Solaris/Sparc	1.	1. ProcSelf 2. ProcDebug	1. SwkDynSymtab	1.
AIX/Power	1.	1. ProcSelf 2. ProcDebug	1. SwkDynSymtab	1.

#### 1. Callback Interface Defaults<sup>a</sup>

*a. This table will be completed during development*

### 3.4.2 Class `FrameStepper`

The `FrameStepper` class is an interface that tells `DynStackwalker` how to walk through a specific type of stack frame. There may be many different ways of walking through a stack frame on a platform, e.g, on Linux/x86 there are different mechanisms for walking through system calls, signal handlers, regular functions, and frameless functions. A single `FrameStepper` describes how to walk through one of these types of stack frames.

A user can create their own `FrameStepper` classes that tell `DynStackwalker` how to walk through new types of stack frames. A new `FrameStepper` object must be added to a `StepperGroup` before it can be used.

In addition to walking through individual stack frames, a `FrameStepper` tells its `StepperGroup` when it can be used. The `FrameStepper` registers address ranges that cover objects in the target process' code space (such as functions). These address ranges should contain the objects that will create stack frames through which the `FrameStepper` can walk. If multiple `FrameStepper` objects have overlapping address ranges, then a priority value is used to determine which `FrameStepper` should be attempted first.

FrameStepper is an interface class; it cannot be instantiated. Users who want to develop new FrameStepper objects should inherit from this class and implement the below virtual functions.

```
typedef enum { gcf_success,
              gcf_stackbottom,
              gcf_not_me,
              gcf_error } gcframe_ret_t

virtual gcframe_ret_t getCallerFrame(const Frame &in, Frame &out) = 0
```

This method walks through a single stack frame and generates a Frame object that represents the caller's stack frame. Parameter `in` will be a Frame object that this FrameStepper is capable of walking through. Parameter `out` is an output parameter that this method should set to the Frame object that called `in`.

There may be multiple ways of walking through a different types of stack frames. Each FrameStepper class should be able to walk through a type of stack frame. For example, on x86 one FrameStepper could be used to walk through stack frames generated by ABI-compliant functions; `out`'s FP and RA are found by reading from `in`'s FP, and `out`'s SP is set to the word below `in`'s FP. A different FrameStepper might be used to walk through stack frames created by functions that have optimized away their FP. In this case, `in` may have a FP that does not point `out`'s FP and RA. The FrameStepper will need to use other mechanisms to discover `out`'s FP or RA; perhaps the FrameStepper searches through the stack for the RA or performs analysis on the function that created the stack frame.

If `getCallerFrame` successfully walks through `in`, it is required to set the following parameters in `out`. See Section 3.3.2 for more details on the values that can be set in a Frame object:

- *Return Address (RA)* - The RA should be set with the `Frame::setRA` method.
- *Stack Pointer (SP)* - The SP should be set with the `Frame::setSP` method.
- *Frame Pointer (FP)* - The FP should be set with the `Frame::setFP` method

Optionally, `getCallerFrame` can also set any of following parameters in `out`:

- *Return Address Location (RALocation)* - The RALocation should be set with the `Frame::setRALocation()` method.
- *Stack Pointer Location (SPLocation)* - The SPLocation should be set with the `Frame::setRALocation()` method.
- *Frame Pointer Location (FPLocation)* - The FPLocation should be set with the `Frame::setFPLocation()` method.

If a location field in `out` is not set, then the appropriate `Frame::getRALocation`, `Frame::getSPLocation` or `Frame::getFPLocation` method will return `loc_unknown`.

`getCallerFrame` should return `gcf_success` if it successfully walks through `in` and creates an `out` Frame object. It should return `gcf_stackbottom` if `in` is the bottom of the stack and

there are no stack frames below it. It should return `gcf_not_me` if `in` is not the correct type of stack frame for this `FrameStepper` to walk through. `DynStackwalker` will then attempt to locate another `FrameStepper` to handle `in` or abort the stackwalk. It should return `gcf_error` if there was an error and the stack walk should be aborted.

```
virtual void registerStepperGroup(StepperGroup &steppergroup)
```

This method is used to notify a `FrameStepper` when `DynStackwalker` adds it to a `StepperGroup`. The `StepperGroup` to which this `FrameStepper` is being added is passed in parameter `steppergroup`. This method can be used to initialize the `FrameStepper` (in addition to any `FrameStepper` constructor).

```
virtual unsigned getPriority() = 0
```

This method is used by the `StepperGroup` to decide which `FrameStepper` to use if multiple `FrameStepper` objects are registered over the same address range (see `addAddressRanges` in Section 3.4.3 for more information about address ranges). This method returns an integer representing a priority level, the lower the number the higher the priority.

The default `FrameStepper` objects provided by `DynStackwalker` all return priorities between `0x1000` and `0x2000`. If two `FrameStepper` objects have an overlapping address range, and they have the same priority, then the order in which they are used is undefined.

### 3.4.3 Class `StepperGroup`

The `StepperGroup` class contains a collection of `FrameStepper` objects. The `StepperGroup`'s primary job is to decide which `FrameStepper` should be used to walk through a stack frame given a return address. The default `StepperGroup` keeps a set of address ranges for each `FrameStepper`. If multiple `FrameStepper` objects overlap an address, then the default `StepperGroup` will use a priority system to decide.

`StepperGroup` provides both an interface and a default implementation of that interface. Users who want to customize the `StepperGroup` should inherit from this class and re-implement any of the below virtual functions.

```
virtual StepperGroup(Walker *walker)
```

This factory constructor creates a new `StepperGroup` object associated with `walker`.

```
virtual bool addStepper(FrameStepper *stepper)
```

This method adds a new `FrameStepper` to this `StepperGroup`. The newly added `stepper` will be tracked by this `StepperGroup`, and it will be considered for use when walking through stack frames.

This method returns true if it successfully added the `FrameStepper`, and false on error.

```
virtual bool addAddressRanges(
    const std::vector<std::pair<Address, Address> >&ranges,
    const FrameStepper *stepper) = 0
```

This method associates a set of address ranges, `ranges`, with a `FrameStepper`, `stepper`. These address ranges contain objects in the process' code space that create stack frames that `stepper` can walk through.

The default `StepperGroup` will use `stepper` to walk through a `Frame` object (by returning it from `findStepperForAddr`) if the `Frame` object's RA falls within a range registered by this method. A `Frame` object, `frame`, falls within a range, `range[i]`, if `range[i].first ≤ frame.getRA() < range[i].second`. If multiple `FrameStepper` objects have overlapping ranges, then the default `StepperGroup` will use the one with the highest priority first (see `FrameStepper::getPriority` in Section 3.4.2).

For example, suppose this `FrameStepper` was designed to walk through a signal handler frame on Linux/x86. During initialization the `FrameStepper` inspects the target process' `vsyscall` page<sup>2</sup> and finds that signal handlers will appear on the call stack with a RA between `0xffffe000` and `0xffffe400`. It then registers this range with its `StepperGroup` using `addAddressRanges`. If the `StepperGroup` encounters an RA in this range, it then uses the signal handler `FrameStepper` to walk through it.

Suppose another `FrameStepper` was designed to walk through regular stack frames created by ABI-compliant functions. This `FrameStepper` will be used as a general catch-all if no other `FrameStepper` can walk through a `Frame` object. The `FrameStepper` can register itself with an address range that spans the whole address space, and a lower priority than the signal handler `FrameStepper`. The `StepperGroup` will then use the signal handler `FrameStepper` to step through signal handlers, and this `FrameStepper` to step through any other `Frame` object.

This method returns true on success and false if there is an error.

```
virtual bool removeAddressRanges(
    const std::vector<std::pair<Address, Address > > &ranges,
    const FrameStepper *stepper) = 0
```

This method removes a `FrameStepper`'s address range from a `StepperGroup`. See `addAddressRange` for more details on how `StepperGroup` and `FrameStepper` objects use address ranges. The address ranges specified by `ranges` will be deleted from `stepper`'s address ranges. For example, if the address range `0x1000` to `0x2000` was registered to a `FrameStepper` named `foo`, and then `removeAddressRanges` was used to remove the address range

---

2. The `vsyscall` page is a small shared object that is loaded by the kernel into every process' address space. It is part of Linux's mechanism for quickly transferring control between the kernel and user space. It also provides information about how to stack walk through system calls and signal handlers.

0x1500 to 0x1600 out of `foo`, then `foo` would have two address ranges associated with it: 0x1000 to 0x1500 and 0x1600 to 0x2000.

This function returns `true` on success and `false` on error.

```
virtual bool findStepperForAddr(Address addr, FrameStepper* &out,
    const FrameStepper *last_tried = NULL)
```

Given an address that points into a function (or function-like object), `addr`, this method decides which `FrameStepper` should be used to walk through the stack frame created by the function at that address. A pointer to the `FrameStepper` will be returned in parameter `out`.

It may be possible that the `FrameStepper` this method decides on is unable to walk through the stack frame (it returns `gcf_not_me` from `FrameStepper::getCallerFrame`). In this case `DynStackwalker` will call `findStepperForAddr` again with the `last_tried` parameter set to the failed `FrameStepper`. `findStepperForAddr` should then find another `FrameStepper` to use. Parameter `last_tried` will be set to `NULL` the first time `getStepperToUse` is called for a stack frame.

The default version of this method uses address ranges to decide which `FrameStepper` to use. The address ranges are contained within the process' code space, and map a piece of the code space to a `FrameStepper` that can walk through stack frames created in that code range. If multiple `FrameStepper` objects share the same range, then the one with the highest priority will be tried first.

This method returns `true` on success and `false` on failure.

```
Walker *getWalker() const
```

This method returns the `Walker` object that associated with this `StepperGroup`.

### 3.4.4 Class `ProcessState`

The `ProcessState` class is a virtual class that defines an interface through which `DynStackwalker` can access the target process. It allows access to registers and memory, and provides basic information about the threads in the target process. `DynStackwalker` provides two default types of `ProcessState` objects: `ProcSelf` does a first party stackwalk, and `ProcDebug` does a third party stackwalk.

A new `ProcessState` class can be created by inheriting from this class and implementing the following functions.

```
virtual bool getRegValue(register_t reg, thread_t thread, regval_t &val) = 0
```

This method takes a register name as input, `reg`, and returns the value in that register in `val` in the thread `thread`.

This method returns `true` on success and `false` on error.

```
virtual bool readMem(void *dest, Address source, size_t size) = 0
```

This method reads memory from the target process. Parameter `dest` should point to an allocated buffer of memory at least `size` bytes in the host process. Parameter `source` should contain an address in the target process to be read from. If this method succeeds, `size` bytes of memory is copied from `source`, stored in `dest`, and `true` is returned. This method returns `false` otherwise.

```
virtual bool getThreadIds(std::vector<thread_t> &threads) = 0
```

This method returns a list of threads whose call stacks can be walked in the target process. Thread are returned in the `threads` vector. In some cases, such as with the default `ProcDebug`, this method returns all of the threads in the target process. In other cases, such as with `ProcSelf`, this method returns only the calling thread.

The first thread in the `threads` vector (index 0) will be used as the default thread if the user requests a stackwalk without specifying an thread (see `Walker::WalkStack`)

This method returns `true` on success and `false` if an error occurs.

```
virtual process_t getProcessID() = 0
```

This method returns a process ID for the target process. The default `ProcessState` implementations (`ProcDebug` and `ProcSelf`) will return a PID on UNIX systems and a `HANDLE` object on Windows.

### 3.4.5 Class SymbolLookup

The `SymbolLookup` virtual class is an interface for associating a symbolic name with a stack frame. Each `Frame` object contains an address (the RA) pointing into the function (or function-like object) that created its stack frame. However, users do not always want to deal with addresses when symbolic names are more convenient. This class is an interface for mapping a `Frame` object's RA into a name.

In addition to getting a name, this class can also associate an opaque object (via a `void*`) with a `Frame` object. It is up to the `SymbolLookup` implementation what to return in this opaque object.

The default implementation of `SymbolLookup` provided by `DynStackwalker` uses the `DynSymtab` tool to lookup symbol names. It returns a `Dyn_Symbol` object in the anonymous `void*`.

A user can create their own symbol lookup interface by creating a new class that inherits from this one and implementing the `lookupAtAddr` function. The `lookupLibrary` can be optionally rewritten, or the default version left as is.

```
virtual bool lookupAtAddr(Address addr, string &out_name, void* &out_value) = 0
```

This method takes an address, `addr`, as input and returns the function name, `out_name`, and an opaque value, `out_value`, at that address. Output parameter `out_name` should be the name of

the function that contains `addr`. Output parameter `out_value` can be any opaque value determined by the `SymbolLookup` implementation. The values returned are used by the `Frame::getName()` and `Frame::getObject()` functions.

This method returns `true` on success and `false` on error.

```
virtual bool lookupLibrary(Address addr, string &out_library)
```

This method is a helper function for `lookupAtAddress`. Given an address, `addr`, this method returns a file path for the library or executable that is loaded at `addr` in output parameter `out_library`.

This method returns `true` on success and `false` if an error occurs.

## 4 PLATFORM SPECIFIC NOTES

*This section will be completed during development.*