

CS 367 Announcements

Thursday, December 4, 2012

Homework Assignment 9 – due tonight at 10:00 pm

Programming Assignment 4 – due Friday, 12/7 at 10:00 pm

Last Time

- finish Hashing
- handling collisions
 - chaining
 - open addressing
- Java support for hashing
 - hashCode()
 - Map ADT
 - Hashtable vs. HashMap
 - TreeMap vs. HashMap

Today

- Graphs
- graph terminology
- searches and traversals
- applications

Next Time

- continue Graphs
- implementation issues
- Dijkstra's algorithm (handout posted on Syllabus page)
- topological ordering

Graph terminology

Graph terminology (continued)

Searches and Traversals

Search

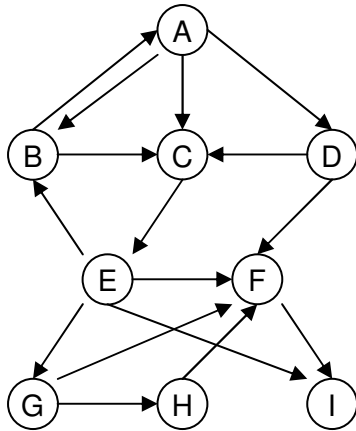
Traversal

Depth-first search (DFS)

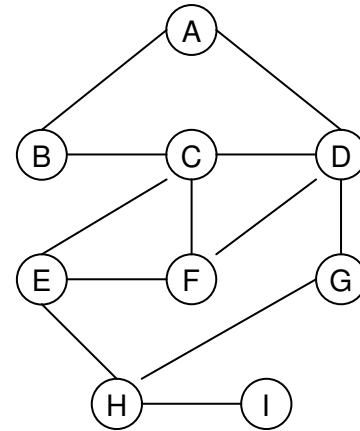
Breadth-first search (BFS)

Try it:

Graph 1



Graph 2



Give the order that nodes are visited for depth-first search (DFS) starting at A

Graph 1:

Graph 2:

Give the order that nodes are visited for breadth-first search (BFS) starting at A

Graph 1:

Graph 2:

Uses of Graph Traversals