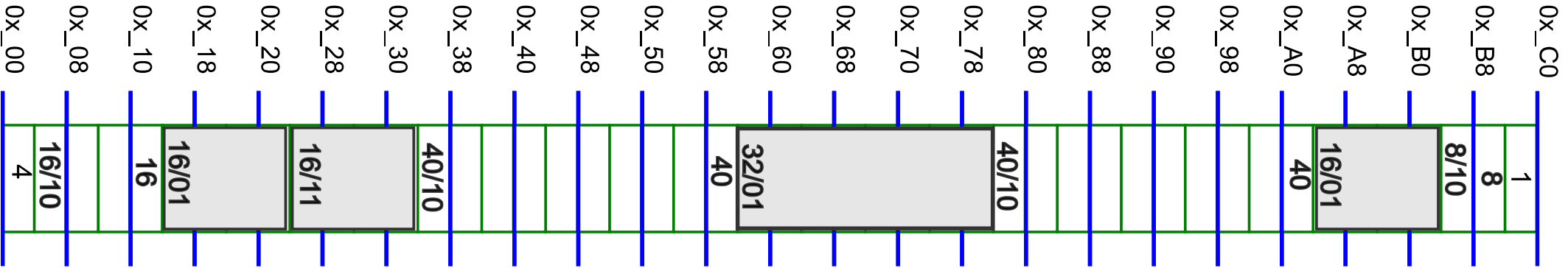


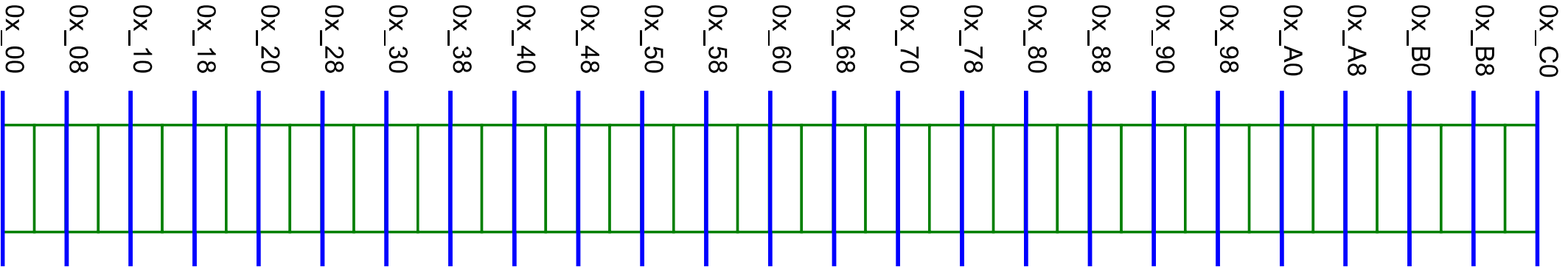
Heap #1a



free(0x_18);

free(0x_60);

coalesce();



BEST-FIT:

p7 = alloc(18);

p8 = alloc(12);

p9 = alloc(8);

p7 = _____

p8 = _____

p9 = _____

