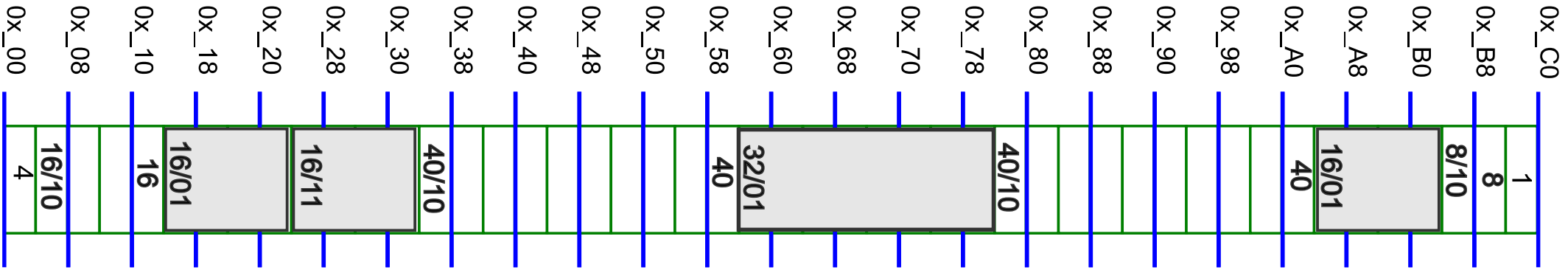


Heap #1b

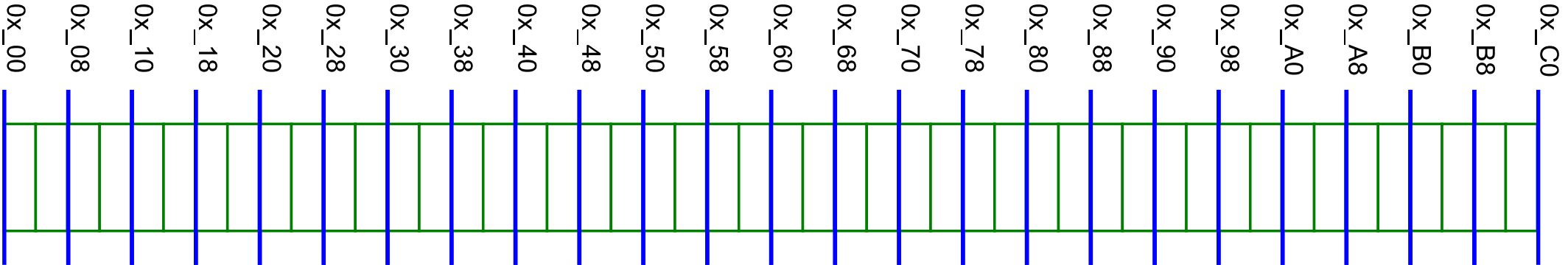


BEST-FIT:

p7 = alloc(18));
p7 = _____

p8 = alloc(12);
p8 = _____

p9 = alloc(8);
p9 = _____



free(0x_18));

free(0x_60);

coalesce();

