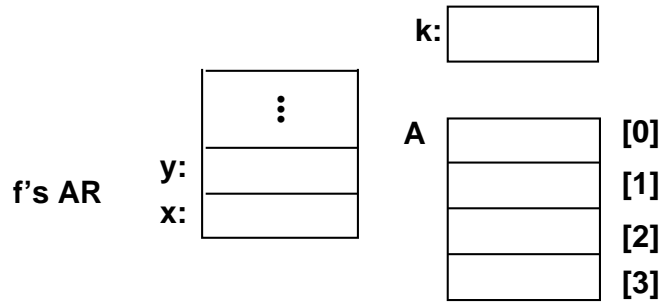
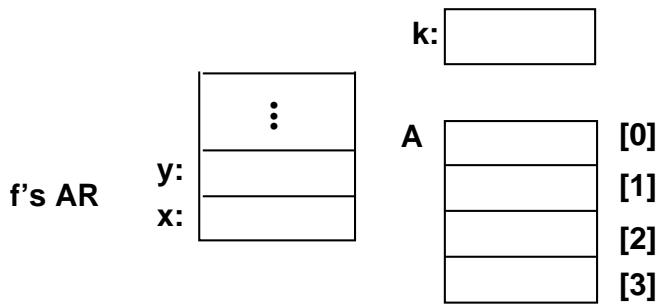


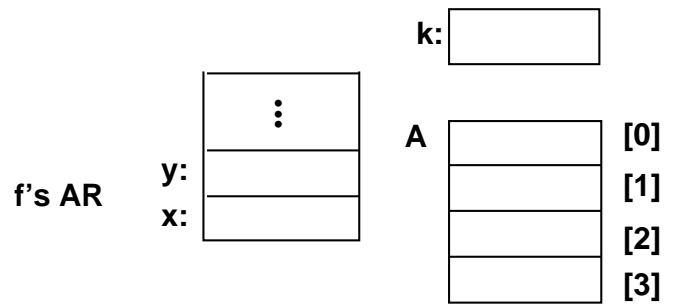
**x and y passed by value**



**x and y passed by reference**



**x passed by value, y by reference**



**x passed by reference, y by value**

**printed in f**

**printed in main**

**x:**  
**y:**  
**k:**  
**A[k]:**

**k:**  
**A[0]:**  
**A[1]:**  
**A[2]:**  
**A[3]:**

**x and y passed by value–result**

**printed in f**

**printed in main**

**x:**  
**y:**  
**k:**  
**A[k]:**

**k:**  
**A[0]:**  
**A[1]:**  
**A[2]:**  
**A[3]:**

**x and y passed by name**