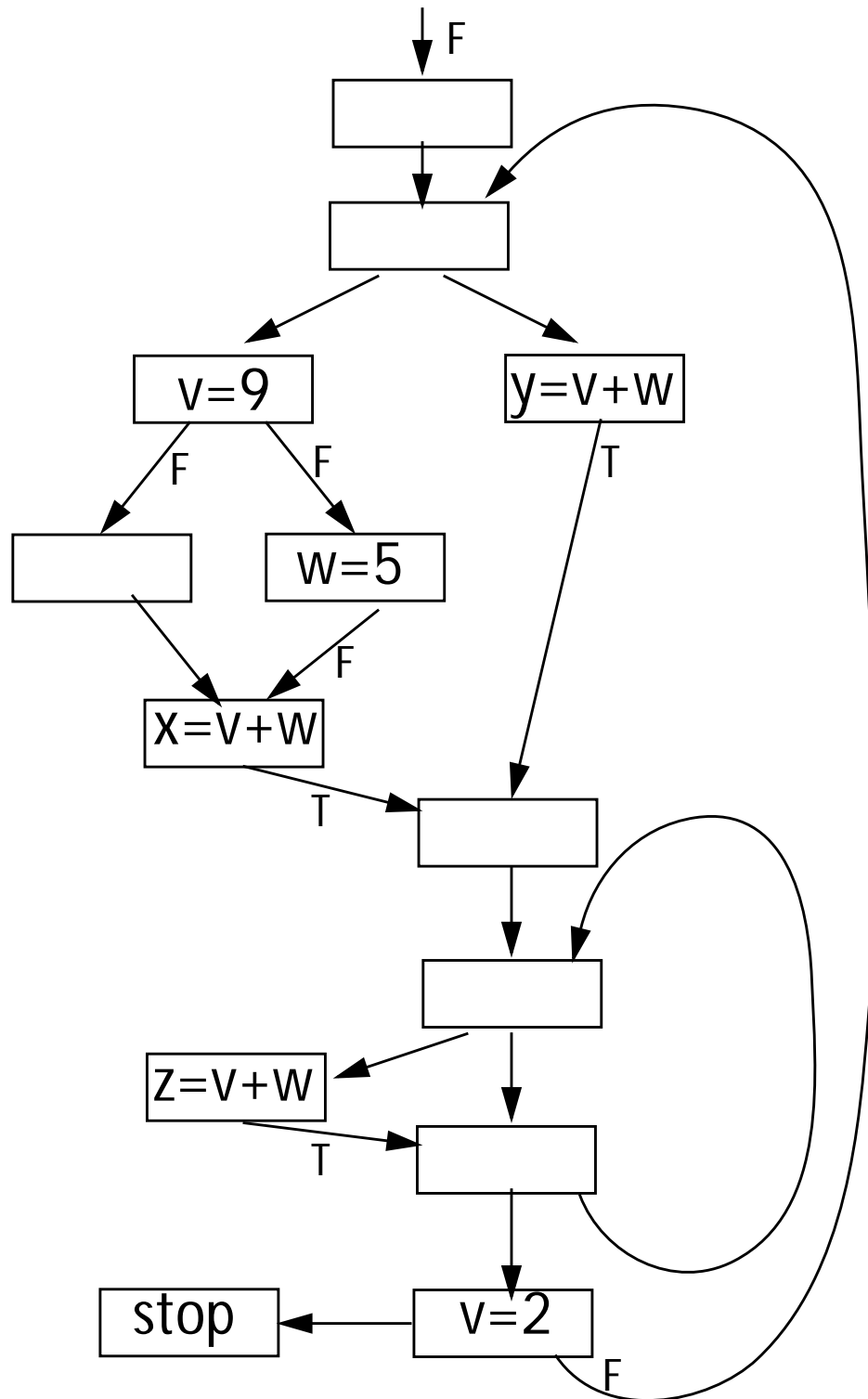
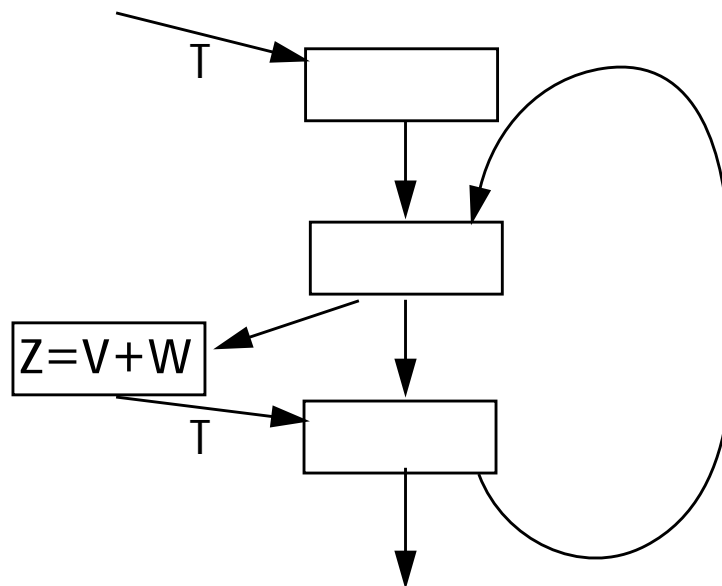


Example: $e_1 = v + w$



Circularities Require Care

Since data flow values can depend on themselves (because of loops), care is required in assigning initial “guesses” to unknown values. Consider



If the flow value on the loop backedge is initially set to false, it can never become true. (Why?)

Instead we should use True, the *identity* for the AND operation.

